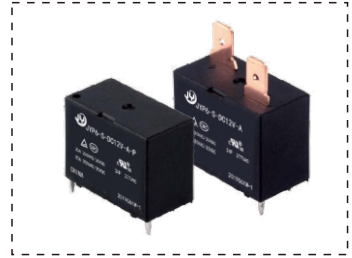


Power Relay Series 功率继电器系列 -- JYP6

FEATURES特点

- 25A contact switching capability
25A 触点切换能力
- Suitable for switching motor load
适用于切换电机负载
- PCB and QC terminal available
印制板式和快连接方式引出脚
- Outline dimensions 30.2 × 15.8 × 23.3mm
外形尺寸 30.2 × 15.8 × 23.3mm



CONTACT PARAMETERS触点参数

Contact Form触点形式	A-1组常开
Rating Load (Resistive)额定负载 (阻性)	20A 250VAC
Max. Switching Current最大切换电流	25A
Max. Switching Voltage最大切换电压	250VAC
Max. Switching Power最大切换功率	5000VA

CHARACTERISTICS性能参数

Contact Materials触点材料	Ag Alloy银合金		
Contact Resistance接触电阻	100mΩ Max		
Operate Time吸合时间	15ms. Max		
Release Time释放时间	5ms. Max		
Insulation Resistance绝缘电阻	1000MΩ Min. (DC500V)		
Initial Dielectric Strength介质耐压	between open contacts: 触点与触点间:	AC1,000V,50/60Hz 1Min	
	between contacts and coil: 触点与线圈间:	AC4,500V,50/60Hz 1Min	
Vibration Resistance抗振动	Damage limits: 耐久:	10~55Hz Double Amplitude双振幅1.5mm	
	Malfunction: 误动作:	10~55Hz Double Amplitude双振幅1.5mm	
Shock Resistance抗冲击	Damage limits: 耐久:	10G Min	
	Malfunction: 误动作:	100G Min	
Life寿命	Mechanical Life (10800 per hour) 机械寿命 (每小时10800次)	1 × 10 ⁷	
	Electrical Life (1800 per hour) 电气寿命 (每小时1800次)	1 × 10 ⁵	
Ambient Temperature环境温度	-40°C ~ +105°C (No condensation) (不冷凝)		
Unit Weight单位重量	约Approx.23.0g		



COIL RATINGS (at23°C) 线圈参数 (在23°C)

Coil Nominal Voltage 额定电压 (VDC)	Nominal Current 额定电流 ±10%(mA)	Coil Resistance 线圈电阻 ±10% (Ω)	Max. Continuous Voltage 最大连续外加电压	Pick-Up Voltage 吸合电压 (Max)	Drop-Out Voltage 释放电压 (Min)	Rated power 额定功率
5	180.0	27.8	Coil Nominal Voltage 130% 额定电压的 130	Coil Nominal Voltage 75% 额定电压的 75%	Coil Nominal Voltage 10% 额定电压的 10%	About 0.9 W 约 0.9 W
12	80.0	160				
24	40.0	640				
48	20.0	2560				

ORDERING INFORMATION 订货标记

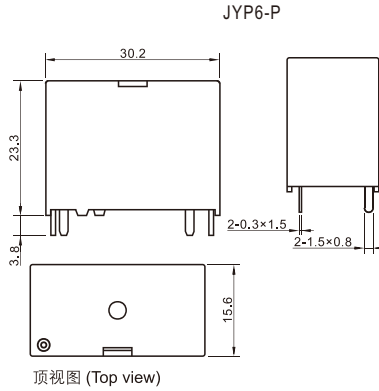
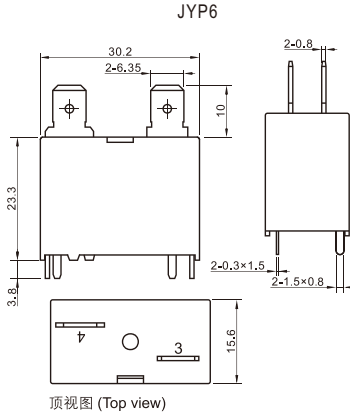
JYP6-S-DC12V-A-P-(XXX) 1 2 3 4 5 6	
1. Model Number 基本型号 JYP6	5. Termination: Nil: PCB+QC P: PCB 引出端形式 无: 印刷板+快连接式 P: 印刷板式
2. Encapsulation form: S-Plastic Sealed SH:Flux proofed 封装形式: S-塑封型 SH-防焊剂型	6. Customer Special Code :XXX- Customer Special Requirements No - Standard Type 客户特性号: XXX-客户特殊要求, 无-标准型
3. Coil Voltage 线圈规格 (VDC): DC5V, DC6V, DC9V, DC12V, DC18V, DC24V, DC48V	
4. Contact form: A-1Form A 触点形式: A-1组常开	

SAFETY STANDARD 安规认证

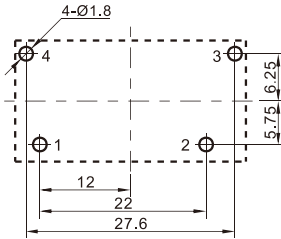
AuthType Basic 认证类别	UL/C_UL	TUV	CQC
Authentication Load 认证负载	20A 250VAC/30VDC 2HP 277VAC	25A 250VAC/30VDC 20A 250VAC/30VDC	25A 250VAC/30VDC 20A 250VAC/30VDC 16A 250VAC/30VDC

OUTLINE DIMENSIONS (UNIT:mm)外形尺寸 (单位: mm)

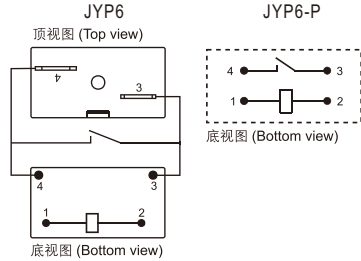
外形尺寸 Outline Dimensions



安装孔尺寸 PCB layout (底视图 Bottom view)



接线图 Wiring Diagram (底视图 Bottom view)



TYPICAL USE 典型用途

- Household equipment, Office equipment, Audio, Smart home, Smart socket, Etc..
- 家用设备, 办公设备, 音响, 智能家居, 智能插座等

PERFORMANCE CHART 性能曲线图

